



FAG

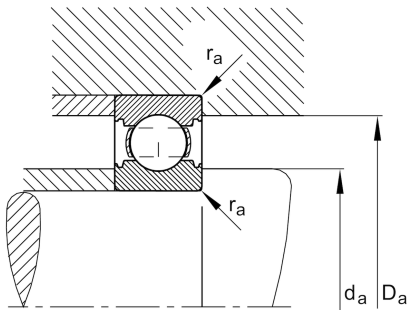
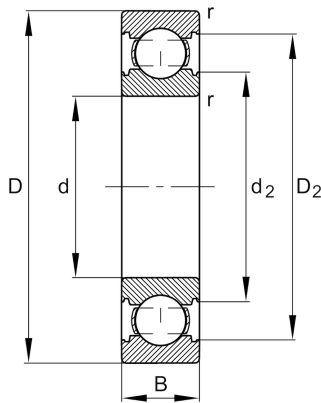
**6209-C**

Deep groove ball bearing

Schaeffler ID:  
0822979750000

Deep groove ball bearing 62...-C, single row, Generation C, steel sheet metal cage

## Technical information

**Main Dimensions & Performance Data**

d	45 mm	Bore diameter
D	85 mm	Outside diameter
B	19 mm	Width
$C_r$	33,500 N	Basic dynamic load rating, radial
$C_{0r}$	20,300 N	Basic static load rating, radial
$C_{ur}$	1,390 N	Fatigue load limit, radial
$n_G$	12,700 1/min	Limiting speed
$n_{gr}$	9,900 1/min	Reference speed
	0.385 kg	Weight

**Dimensions**

$r_{min}$	1.1 mm	Minimum chamfer dimension
$D_2$	75.5 mm	Caliber diameter outer ring
$d_2$	53.9 mm	Caliber diameter inner ring

**Mounting dimensions**

$d_{amin}$	52 mm	Minimum diameter shaft shoulder
$D_{amax}$	78 mm	Maximum diameter of housing shoulder
$r_{amax}$	1.1 mm	Maximum fillet radius

**Calculation factors**

$f_0$	14.3	Calculation factor
-------	------	--------------------

**Temperature range**

$T_{min}$	-30 °C	Operating temperature min.
$T_{max}$	120 °C	Operating temperature max.